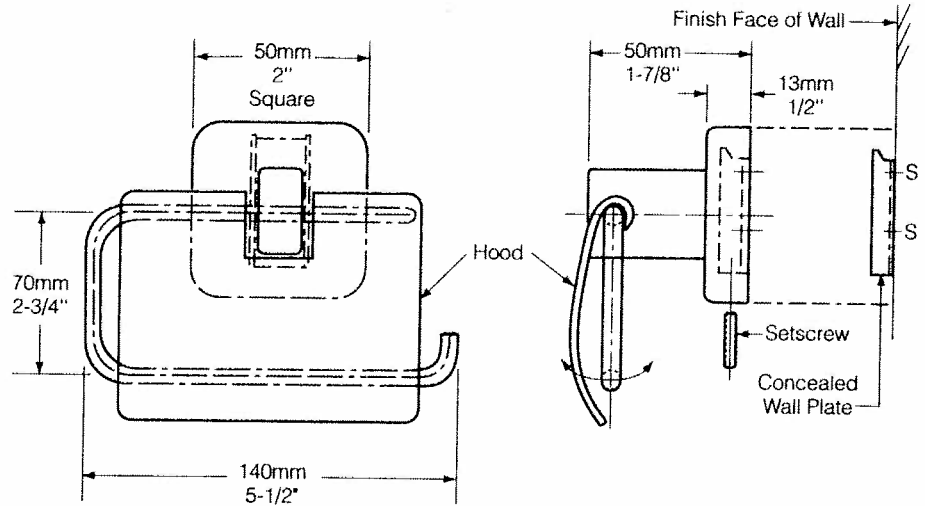




Technical Data

SURFACE-MOUNTED TOILET TISSUE HOLDER WITH HOOD

B-6711



MATERIALS:

Flange and Support Arm — 18-8 S, type-304, 0.8mm (22-gauge) stainless steel with bright polished finish. Concealed 1.6mm (16-gauge) stainless steel mounting bracket. All-welded construction. Secured to wall plate with a stainless steel setscrew.

Concealed Wall Plate — 18-8 S, type-304, 1.6mm (16-gauge) stainless steel.

Toilet Tissue Ring — 18-8 S, type-304, 6.5mm (1/4") diameter stainless steel bar; notched to prevent pullout. Holds one standard-core roll up to 140mm (5-1/2") diameter (1800 sheets).

Hood — 18-8 S, type-304, 1.2mm (18-gauge) stainless steel. Hood hinged to ring.

INSTALLATION:

To remove concealed wall plate from back of flange and mounting bracket, loosen setscrew. Mount wall plate so prongs are at top; secure with two sheet-metal screws, furnished by manufacturer, at points indicated by an *S*. Engage mounting bracket onto prongs of wall plate, then secure into position by tightening setscrew at bottom of flange.

For plaster or dry wall construction, provide concealed backing to comply with local building codes, then secure unit with sheet-metal screws furnished. For other wall surfaces, provide fiber plugs or expansion shields for use with screws furnished, or provide 3mm (1/8") toggle bolts or expansion bolts.

For partitions with particle-board or other solid core, secure with sheet-metal screws furnished or provide through-bolts, nuts, and washers. For hollow-core metal partition, provide solid backing into which sheet-metal screws can be secured. If two units are installed back-to-back, then provide threaded sleeves and machine screws for the full thickness of partition.

SPECIFICATION:

Surface-mounted toilet tissue holder shall be type-304 stainless steel with bright polished finish. Flange and support arm shall be 0.8mm (22 gauge) and equipped with concealed 1.6mm (16-gauge) mounting bracket that is secured to a concealed 1.6mm (16-gauge) wall plate with a stainless steel setscrew. Nonremovable toilet tissue ring shall be 6.5mm (1/4") diameter stainless steel bar. Nonremovable hood shall be 1.2mm (18 gauge). Manufacturer's service and parts manual shall be provided to the building owner/manager upon completion of project.

Surface-Mounted Toilet Tissue Holder With Hood shall be Model B-6711 of Bobrick Washroom Equipment, Inc., Clifton Park, New York; Jackson, Tennessee; Los Angeles, California; Bobrick Washroom Equipment of Canada Ltd., Scarborough, Ontario; Bobrick Washroom Equipment Pty. Ltd., Australia; and Bobrick Washroom Equipment Limited, United Kingdom.